

BETA SUBSEA SYSTEMS

DIV. BAUGH CONSULTING ENGINEERS, INC.

J-LAY TOWERS



- **1,250,000 LB. LIFTING CAPACITY**
- **95' TRAVEL**
- **62" BORE THRU THE STATIONARY TABLE**
- **GIMBALLING ANY DIRECTION UP TO 15°**
- **STINGER CONTROLS PIPE BEND RADIUS**
- **ABILITY TO HANDLE LARGE MANIFOLDS**
- **CONCURRENT WELDING AND COATING**
- **2 WORK STATIONS GIVE QUAD SPEED**
- **FAST MAKE-UP BETA-LOK CONNECTORS**

IN FABRICATION YARD AT LEFT

MOUNTED ON VESSEL BELOW



Beta Subsea Systems offers a combination of patent licensing, engineering, sales, manufacturing capabilities, inventory, service and products to assist you grow your business.

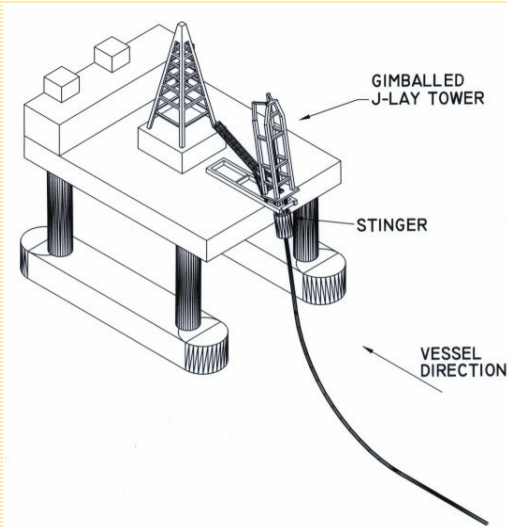
PATENTS & PATENT PENDING

BETA SUBSEA SYSTEMS

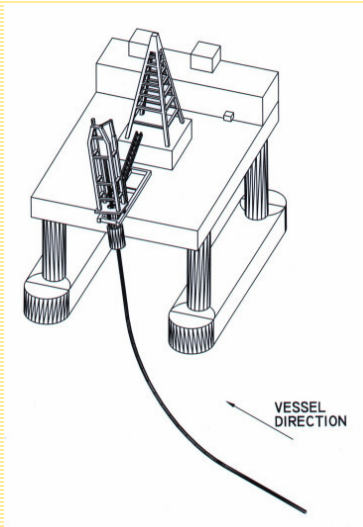
DIV. BAUGH CONSULTING ENGINEERS, INC.

J-LAY TOWERS

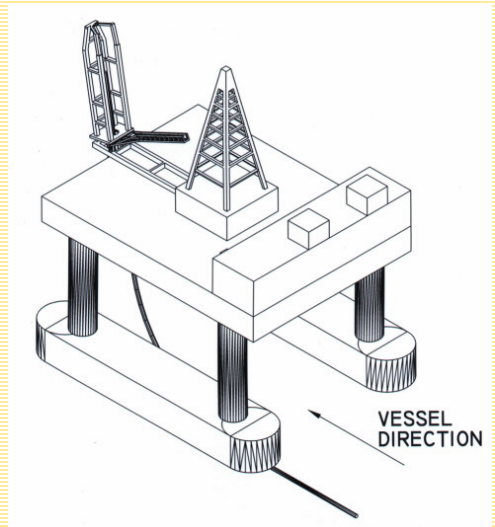
BENEFIT OF BETA GIMBALLING SYSTEM



VESSEL SAILING DIRECTLY ALONG THE TRACK OF THE PIPELINE



VESSEL ROTATED INTO THE WEATHER AND THE BETA J-LAY TOWER GIMBALLED TO MATCH



VESSEL ROTATED 180° TO FACILITATE THE HANDOFF OF THE SCR (STEEL CATENARY RISER) TO THE PLATFORM



VESSEL SAILING DIRECTLY ALONG THE TRACK OF THE PIPELINE



HANDING OFF THE SCR (STEEL CATENARY RISER)



CONTROL PANEL

Beta Subsea Systems offers a combination of patent licensing, engineering, sales, manufacturing capabilities, inventory, service and products to assist you grow your business.

Primary Contacts: Benton F. Baugh, Ph.D., P.E., 713-419-8683, bbaugh@baughengrs.com

PATENTS & PATENT PENDING