

# BETA SUBSEA SYSTEMS

PROJECT: BLUE DOG PIG, 6"

DIVISION OF BAUGH CONSULTING ENGINEERS, INC.

4/8/17

W.O. NO.: 1014

START DATE:

ESTIMATED COMPLETION:

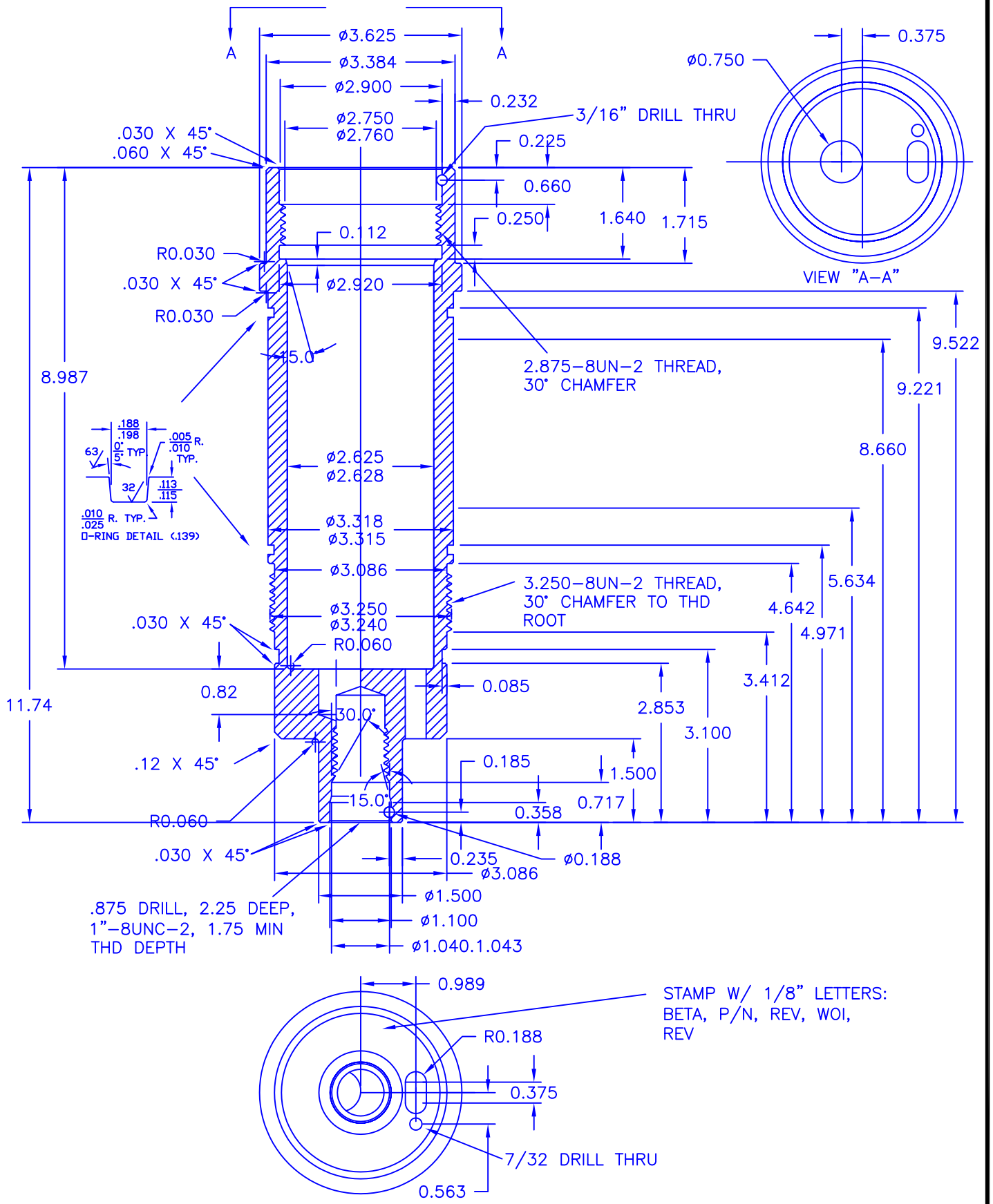
ITEM	P/N	REV	NAME	MATL	LVL	QPE R	TQTY	PO NO.	PO DUE	REC.	LABOR	UNIT LABOR RATE	UNIT O/S COSTS	TOTAL COST
1	20,003-01-01	B	PIG, BLUE DOG, 6"	NOTED	--	---	1	-----	-----	-----	0	\$0.00	\$0.00	
5	20,003-01-90		FAT TEST, PIG, WIRE ROPE	TBA	--	1	1	-----	-----	-----	0	\$0.00	\$0.00	\$0.00
29	-----	--	-----	-----	--	---	-----	-----	-----	-----	0	\$0.00	\$0.00	
30	20,003-02-01	B	SELECTOR VALVE	-----	1	1	1	-----	-----	-----	0	\$0.00	\$0.00	\$0.00
99	-----	--	-----	-----	--	---	-----	-----	-----	-----	0	\$0.00	\$0.00	
100	40,036-01-01	A	BODY, 6" WIRE ROPE PIG	AISI 4130-4340, 18-36 RC	1	1	1				0	\$0.00	\$0.00	\$0.00
102	40,038-01-01	A	NOZZLE	AISI 4130-4340, 28-36 RC	1	1	1				1	\$1.00	\$1.00	\$2.00
104	40,048-01-01	A	BASE, EYE, SWIVELLED	316SS	1	1	1				0	\$0.00	\$0.00	\$0.00
106	40,049-01-01	A	EYE, SWIVELLED	316SS	1	1	1				0	\$0.00	\$0.00	\$0.00
108	60,001-01-01	A	BALL, .500 DIA SS	316SS	1	12	12				0	\$0.00	\$0.00	\$0.00
110	62,001-01-01	A	PIN, SPRING, 3/16" X 3/4"	SS							0	\$0.00	\$0.00	\$0.00
119	-----	--	-----	-----	--	---	-----	-----	-----	-----	0	\$0.00	\$0.00	
99	40,040-01-01	A	CUP SEAL, THD'D	USE MOLD 20,004-01-01	1	1	1				0	\$0.00	\$0.00	\$0.00
120	40,041-01-01	A	ARMATURE, CUP, THD'D	A-36 OR EQ.	2	6	6				0	\$0.00	\$0.00	\$0.00
122	40,042-01-01	A	CUP SEAL, NON-THD'D	USE MOLD 20,004-01-01	1	6	6				0	\$0.00	\$0.00	\$0.00
124	40,043-01-01	A	ARMATURE, CUP, NON-THD'D	A-36 OR EQ.	2	6	6				0	\$0.00	\$0.00	\$0.00
126	40,044-01-01	A	SPACER, CUP, SEAL	A-36 OR EQ.	1	1	1				0	\$0.00	\$0.00	\$0.00
199	-----	--	-----	-----	--	---	-----	-----	-----	-----	0	\$0.00	\$0.00	
202	40,048-01-01	A2	BASE, EYE, SWIVELLED	316SS	1	1	1				0	\$0.00	\$0.00	\$0.00
204	44,180-02-01	A	PLUG, STRAIGHT	NAVAL BRONZE	1	1	1				0	\$0.00	\$0.00	\$0.00
206	44,055-01-01	A	ROLLER	NAVAL BRONZE	1	8	8				0	\$0.00	\$0.00	\$0.00
208	TBA		PIN, SPRING, 1/4 X 1 1/4"	SS	1	8	8				0	\$0.00	\$0.00	\$0.00
899	-----	--	-----	-----	--	---	-----	-----	-----	-----				

TOTAL JOB COST

\$2.00

NOTES

ANY P/N STARTING WITH "6" MEANS IT IS FULLY DESCRIBED ON THIS BOM  
 LINES 30-76 DESCRIBE THE SEL VALVE SUBASSEMBLY ON SHEET 2



STAMP W/ 1/8" LETTERS:  
 BETA, P/N, REV, WOI,  
 REV

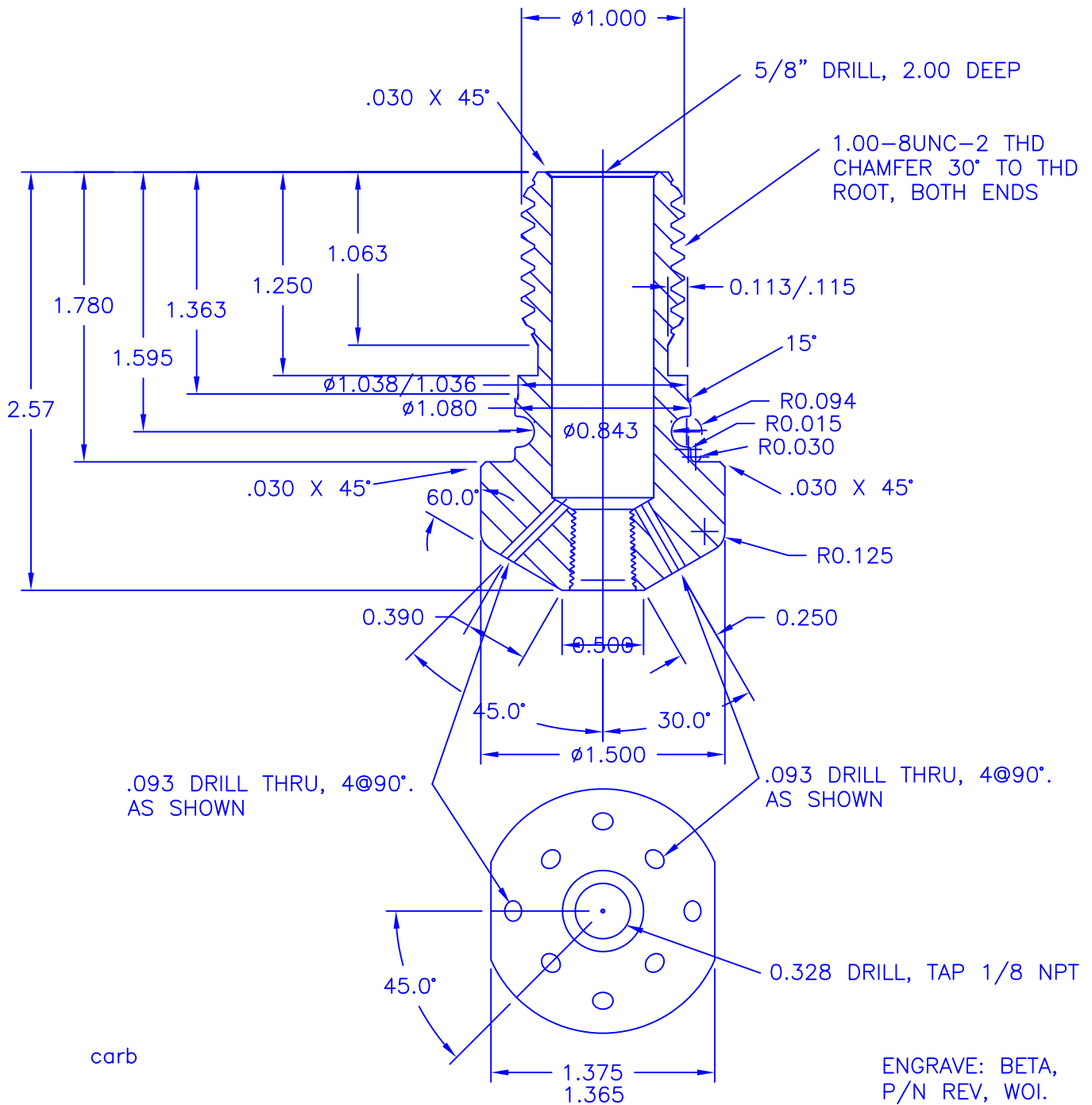
MATL 4130-4346		H.T. 18-36RC COATING PARKERIZE	
REV. DATE			
REV. BY			
CK BY:			
APP. BY:			
DRAWN BY:	CHECKED BY:	APPROVED BY:	RELEASE DATE
BFB			
UNLESS OTHERWISE SPECIFIED, DIM. IN INCHES, © .010 T.I.R., FRAC ±1/8, 1 PLACE ±.060, 2 PLACE ±.030, 3 PLACE ±.010, ANGLE ±0° 30', 125 RMS MAX, BREAK CORNERS .010			

**Beta Subsea Systems** DIVISION OF BAUGH CONSULTING ENGINEERS, INC  
 HOUSTON, TEXAS

BODY, 6"

WIRE ROPE PIG, 6" NOM

DRAWING & INFORMATION ARE PROPERTY OF BAUGH CONSULTING ENGRS, INC.	
REV IS ALPHA ONLY	ONLY
SHEET 1 OF 1	A1
40,036-01-01	



MATL 4140-4340		H.T. 28-36 ROCCOATING N/A	
REV. DATE 2/19/16		CHG 4 NOZZLE ANGLES	
REV. BY BFB		ADD 1/8 NPT TO CENTER (COVERS TEST HOLE)	
CK BY:			
APP. BY:			
DRAWN BY:	CHECKED BY:	APPROVED BY:	RELEASE DATE
BFB			
UNLESS OTHERWISE SPECIFIED, DIM. IN INCHES, © .010 T.I.R., FRAC ±1/8, 1 PLACE ±.060, 2 PLACE ±.030, 3 PLACE ±.010, ANGLE ±0° 30', 125 RMS MAX, BREAK CORNERS .010			

**Beta Subsea Systems**

DIVISION OF BAUGH CONSULTING ENGINEERS, INC  
HOUSTON, TEXAS

NOZZLE, JET

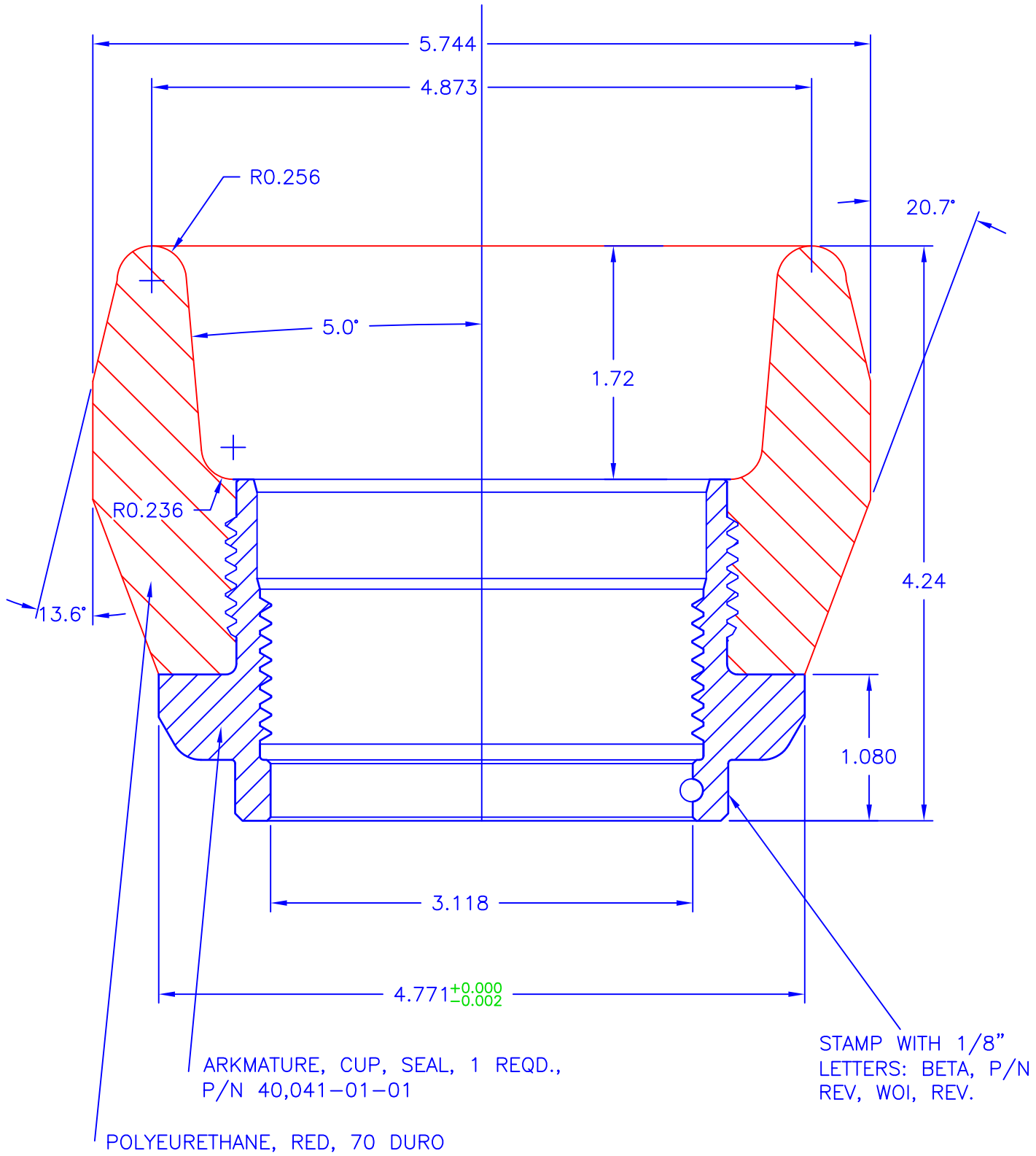
VALVE, TYPE SEL-1  
WIRE ROPE PIG, 6" NOM

DRAWING & INFORMATION ARE  
PROPERTY OF BAUGH  
CONSULTING ENGRS, INC.

REV IS ALPHA ONLY  
SHEET 1 OF 1

REV.  
A2

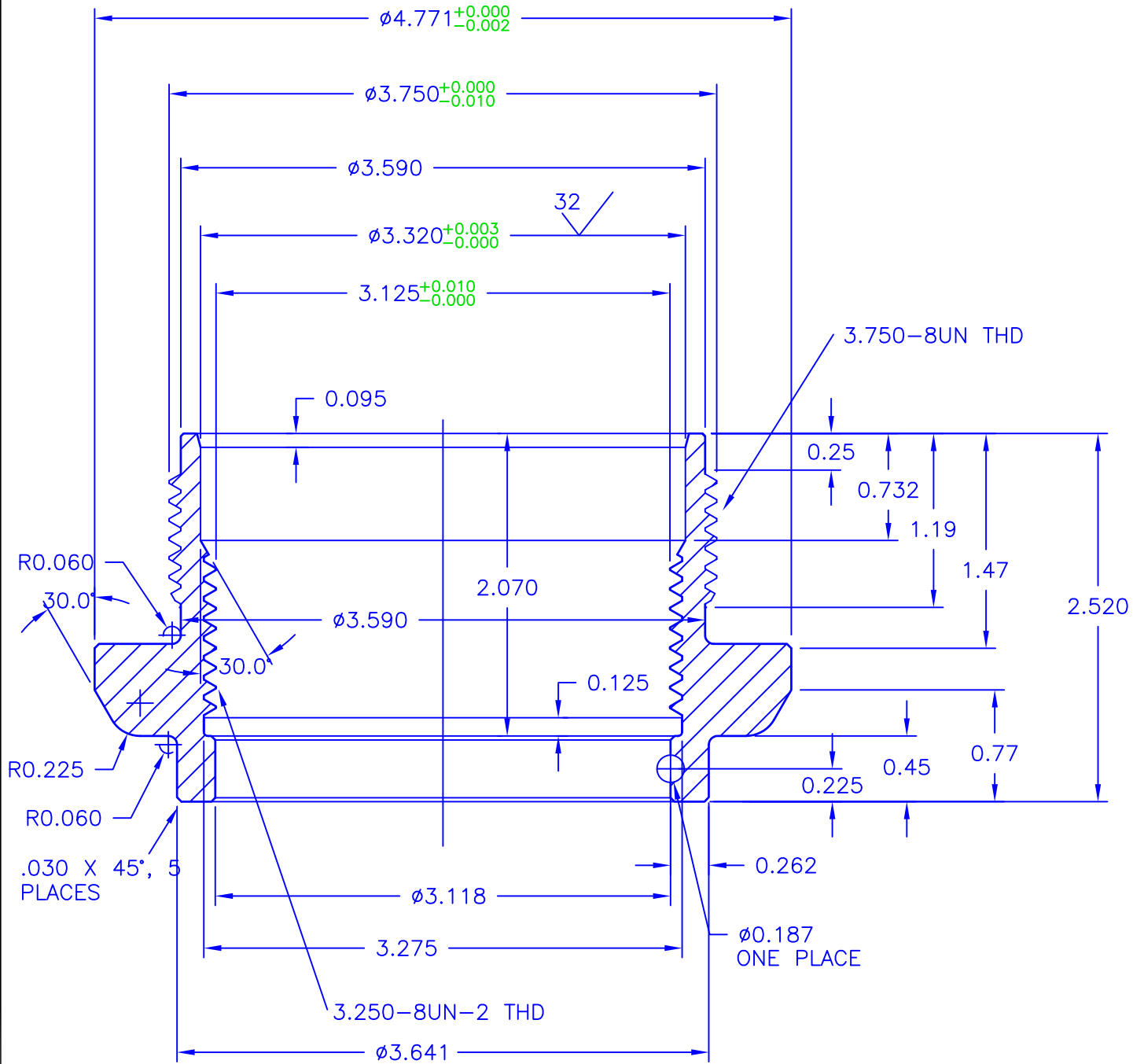
40,038-01-01



MATL NOTED	H.T. N/A	COATING N/A
REV. DATE		
REV. BY		
CK BY:		
APP. BY:		
DRAWN BY:	CHECKED BY:	APPROVED BY:
BSB		
UNLESS OTHERWISE SPECIFIED, DIM. IN INCHES, © .010 T.I.R., FRAC ±1/8, 1 PLACE ±.060, 2 PLACE ±.030, 3 PLACE ±.010, ANGLE ±0° 30', 125 RMS MAX, BREAK CORNERS .010		

**Beta Subsea Systems** DIVISION OF BAUGH CONSULTING ENGINEERS, INC  
 HOUSTON, TEXAS  
 CUP, SEAL, THD'D  
 VALVE, TYPE SEL-1  
 WIRE ROPE PIG, 6" NOM

DRAWING & INFORMATION ARE PROPERTY OF BAUGH CONSULTING ENGRS, INC.	
REV.	A1
SHEET 1 OF 1	40,040-01-01



MATL A-36 OR EQUAL		H.T. N/A		COATING N/A	
REV. DATE					
REV. BY					
CK BY:					
APP. BY:					
DRAWN BY:		CHECKED BY:		APPROVED BY:	
BFB					
UNLESS OTHERWISE SPECIFIED, DIM. IN INCHES, © .010 T.I.R., FRAC $\pm 1/8$ , 1 PLACE $\pm .060$ , 2 PLACE $\pm .030$ , 3 PLACE $\pm .010$ , ANGLE $\pm 0^\circ 30'$ , 125 RMS MAX, BREAK CORNERS .010					

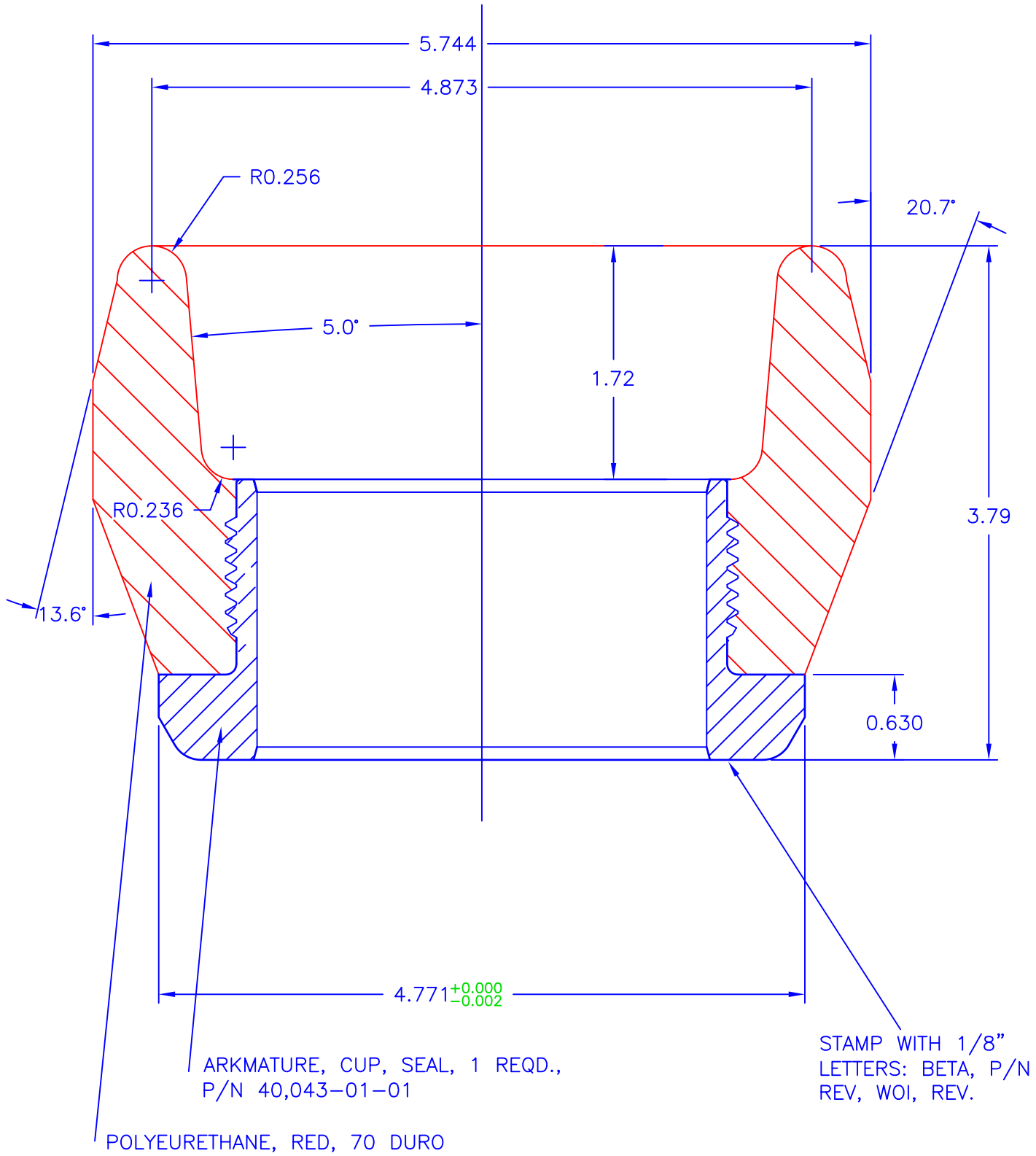
**Beta Subsea Systems** DIVISION OF BAUGH CONSULTING ENGINEERS, INC  
HOUSTON, TEXAS

ARMATURE, CUP, SEAL, THD'D

VALVE, TYPE SEL-1  
WIRE ROPE PIG, 6" NOM

DRAWING & INFORMATION ARE  
PROPERTY OF BAUGH  
CONSULTING ENGRS, INC.

SHEET 1 OF 1		REV. A1
40,041-01-01		



MATL NOTED		H.T. N/A		COATING N/A	
REV. DATE					
REV. BY					
CK BY:					
APP. BY:					
DRAWN BY:	CHECKED BY:	APPROVED BY:	RELEASE DATE		
BFB					
UNLESS OTHERWISE SPECIFIED, DIM. IN INCHES, © .010 T.I.R., FRAC ±1/8, 1 PLACE ±.060, 2 PLACE ±.030, 3 PLACE ±.010, ANGLE ±0° 30', 125 RMS MAX, BREAK CORNERS .010					

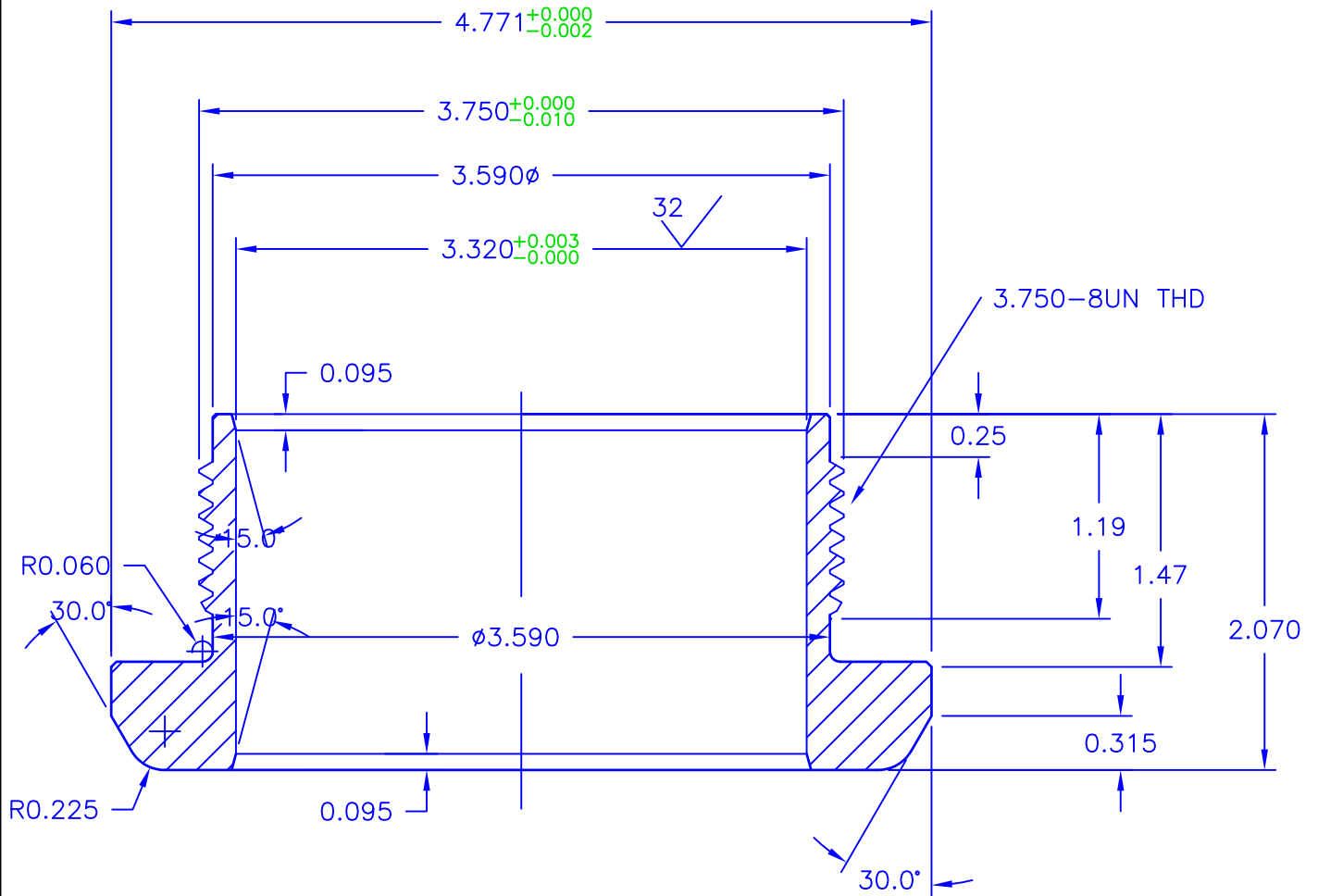
**Beta Subsea Systems** DIVISION OF BAUGH CONSULTING ENGINEERS, INC  
HOUSTON, TEXAS

CUP, SEAL, NON-THD'D

VALVE, TYPE SEL-1  
WIRE ROPE PIG, 6" NOM

DRAWING & INFORMATION ARE  
PROPERTY OF BAUGH  
CONSULTING ENGRS, INC.

SHEET 1 OF 1	REV. A1
40,042-01-01	



ONE PLACE

3.250-8UN-2 THD

MATL A-36 OR EQUAL H.T. N/A COATING N/A

REV. DATE

REV. BY

CK BY:

APP. BY:

DRAWN BY:

CHECKED BY:

APPROVED BY:

RELEASE DATE

BFB

UNLESS OTHERWISE SPECIFIED, DIM. IN INCHES, © .010 T.I.R.,  
FRAC ±1/8, 1 PLACE ±.060, 2 PLACE ±.030, 3 PLACE ±.010,  
ANGLE ±0° 30', 125 RMS MAX, BREAK CORNERS .010

**Beta Subsea Systems**

DIVISION OF BAUGH CONSULTING ENGINEERS, INC  
HOUSTON, TEXAS

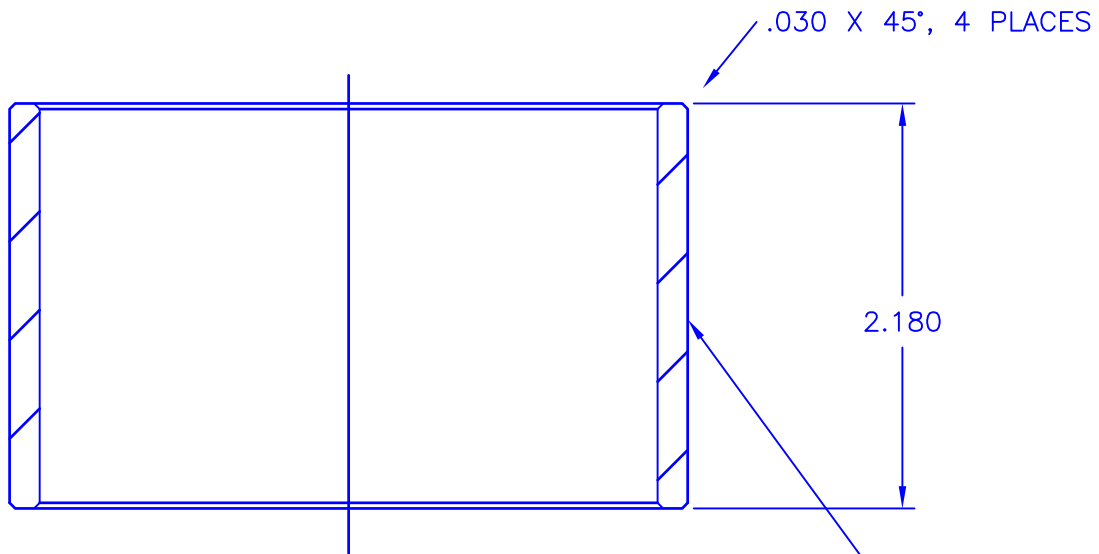
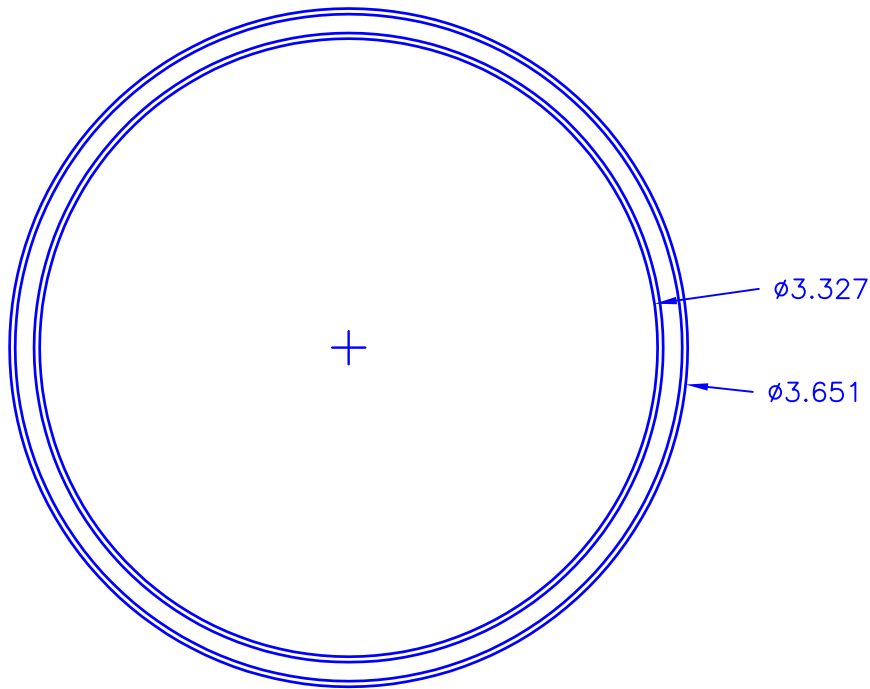
ARMATURE, CUP, SEAL, NON-THD'D

VALVE, TYPE SEL-1  
WIRE ROPE PIG, 6" NOM

DRAWING & INFORMATION ARE  
PROPERTY OF BAUGH  
CONSULTING ENGRS, INC.

REV.  
SHEET 1 OF 1 A1

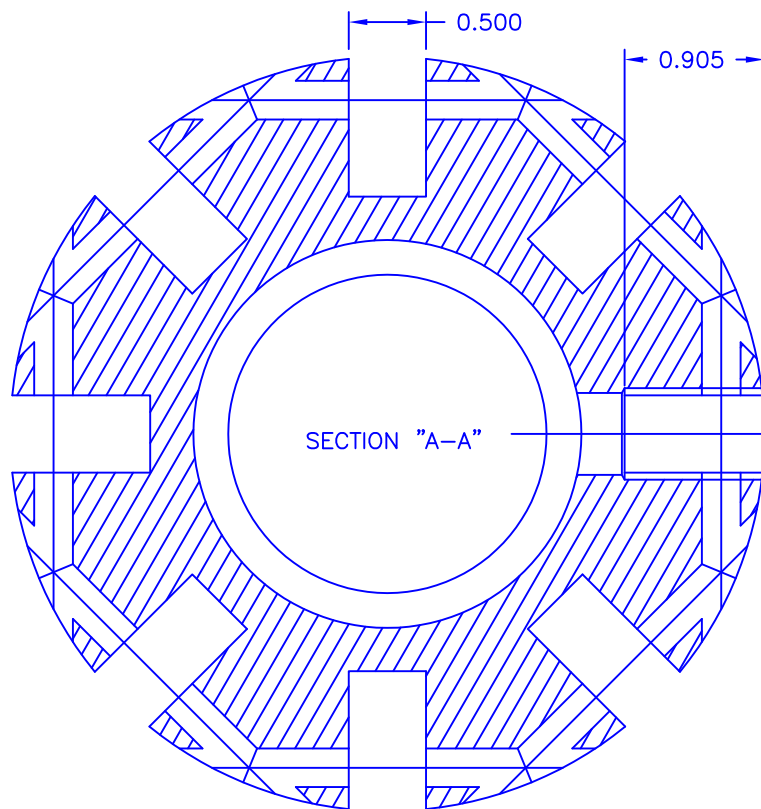
40,043-01-01



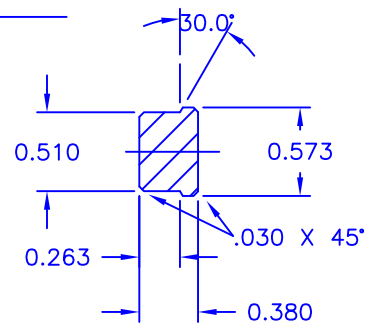
STAMP WITH 1/8"  
LETTERS: BETA, P/N  
REV, WO1, REV.

MATL A-36 OR EQUAL		H.T. N/A		COATING PARKERIZE		<b>Beta Subsea Systems</b> DIVISION OF BAUGH CONSULTING ENGINEERS, INC HOUSTON, TEXAS	
REV. DATE		REV. BY		CK BY:			
DRAWN BY:		CHECKED BY:		APPROVED BY:		DRAWING & INFORMATION ARE PROPERTY OF BAUGH CONSULTING ENGRS, INC.	
UNLESS OTHERWISE SPECIFIED, DIM. IN INCHES, © .010 T.I.R., FRAC ±1/8, 1 PLACE ±.060, 2 PLACE ±.030, 3 PLACE ±.010, ANGLE ±0° 30', 125 RMS MAX, BREAK CORNERS .010		VALVE, TYPE SEL-1 WIRE ROPE PIG, 6" NOM		SHEET 1 OF 1		REV. A1	
						40,044-01-01	

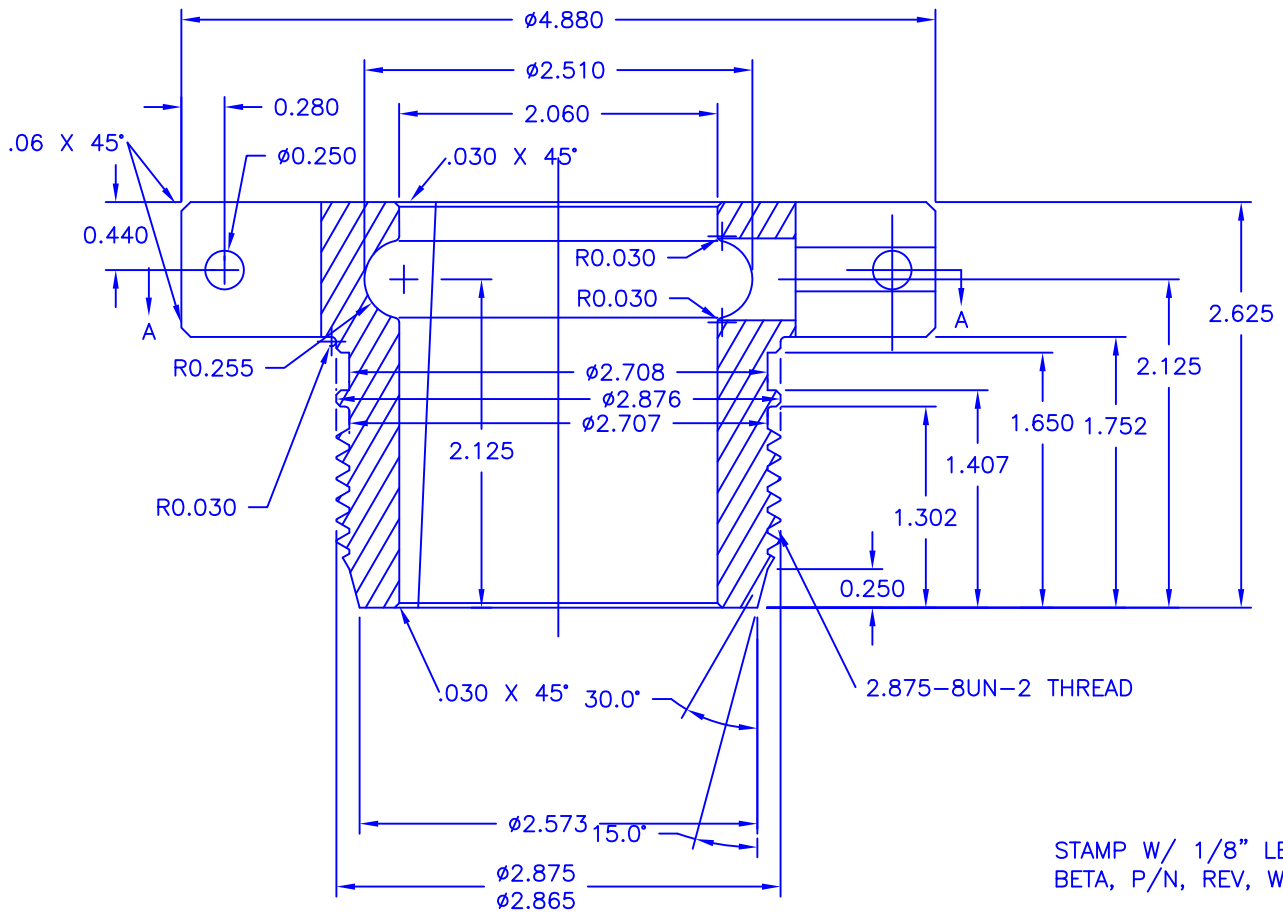




19/32 DRILL 0.905 DEEP, 17/32 DRILL THRU



BRASS, BRONZE, OR WHATEVER



STAMP W/ 1/8" LETTERS:  
BETA, P/N, REV, WOI

MATL 316 SS H.T. 18-36Rc COATING

REV. DATE 2/19/16 ADD WHEEL SLOTS AROUND PERIMETER  
REV. BY BFB

CK BY:  
APP. BY:

DRAWN BY: *BFB* CHECKED BY: APPROVED BY: RELEASE DATE 11/15/15

UNLESS OTHERWISE SPECIFIED, DIM. IN INCHES, © .010 T.I.R.,  
FRAC ±1/8, 1 PLACE ±.060, 2 PLACE ±.030, 3 PLACE ±.010,  
ANGLE ±0° 30', 125 RMS MAX, BREAK CORNERS .010

**Beta Subsea Systems**

DIVISION OF BAUGH CONSULTING ENGINEERS, INC  
HOUSTON, TEXAS

BASE, EYE, SWIVELLED

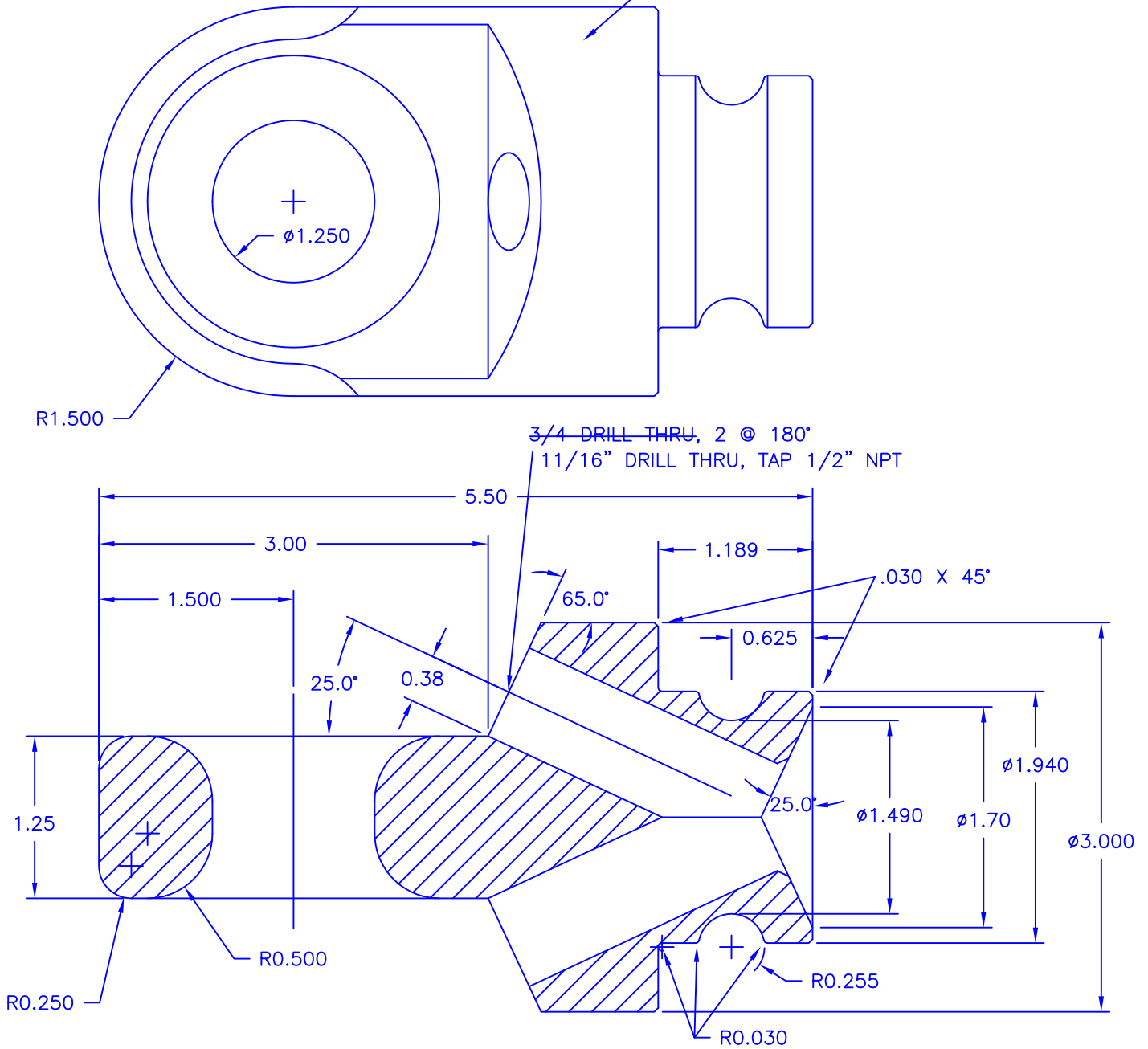
WIRE ROPE PIG, 6" NOM

DRAWING & INFORMATION ARE  
PROPERTY OF BAUGH  
CONSULTING ENGRS, INC.

REV IS ALPHA ONLY REV.  
SHEET 1 OF 1 A2

40,048-01-01

STAMP W/ 1/8" LETTERS:  
BETA, P/N, REV, WOI



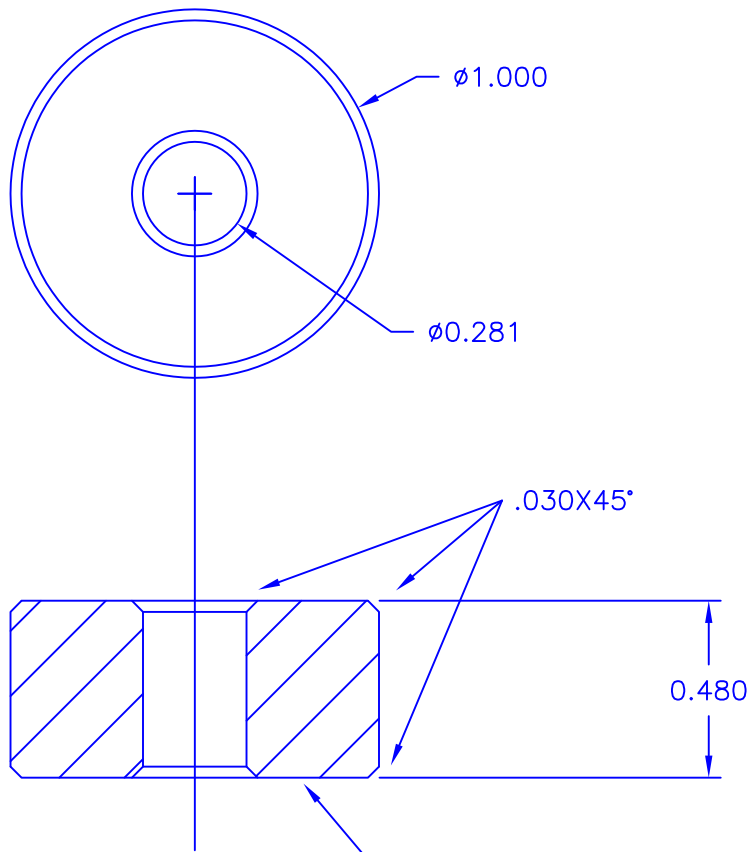
MATL 316 SS		H.T. 18-36Rc COATING	
REV. DATE			
REV. BY			
CK BY:			
APP. BY:			
DRAWN BY:	CHECKED BY:	APPROVED BY:	RELEASE DATE
BFB			11/15/15
UNLESS OTHERWISE SPECIFIED, DIM. IN INCHES, © .010 T.I.R., FRAC ±1/8, 1 PLACE ±.060, 2 PLACE ±.030, 3 PLACE ±.010, ANGLE ±0° 30', 125 RMS MAX, BREAK CORNERS .010			

**Beta Subsea Systems** DIVISION OF BAUGH CONSULTING ENGINEERS, INC  
HOUSTON, TEXAS

EYE, SWIVELLED

WIRE ROPE PIG, 6" NOM

DRAWING & INFORMATION ARE PROPERTY OF BAUGH CONSULTING ENGRS, INC.	
REV IS ALPHA ONLY	REV.
SHEET 1 OF 1	A1
40,049-01-01	



ENGRAVE: BETA SUBSEA,  
P/N-LTR, W.O., ITEM NO.

MATL NAVAL BRONZE		H.T. N/A		COATING N/A	
REV. DATE					
REV. BY					
CK BY:					
APP. BY:					
DRAWN BY:		CHECKED BY:		APPROVED BY:	
BFB				RELEASE DATE	
				2/19/16	
UNLESS OTHERWISE SPECIFIED, DIM. IN INCHES, © .010 T.I.R., FRAC ±1/8, 1 PLACE ±.060, 2 PLACE ±.030, 3 PLACE ±.010, ANGLE ±0° 30', 125 RMS MAX, BREAK CORNERS .010					

**Beta Subsea Systems**

DIVISION OF BAUGH CONSULTING ENGINEERS, INC  
HOUSTON, TEXAS

ROLLER

DRAWING & INFORMATION ARE PROPERTY OF BAUGH CONSULTING ENGRS, INC.	
SHEET 1 OF 1	REV. A1
44,050-01-01	