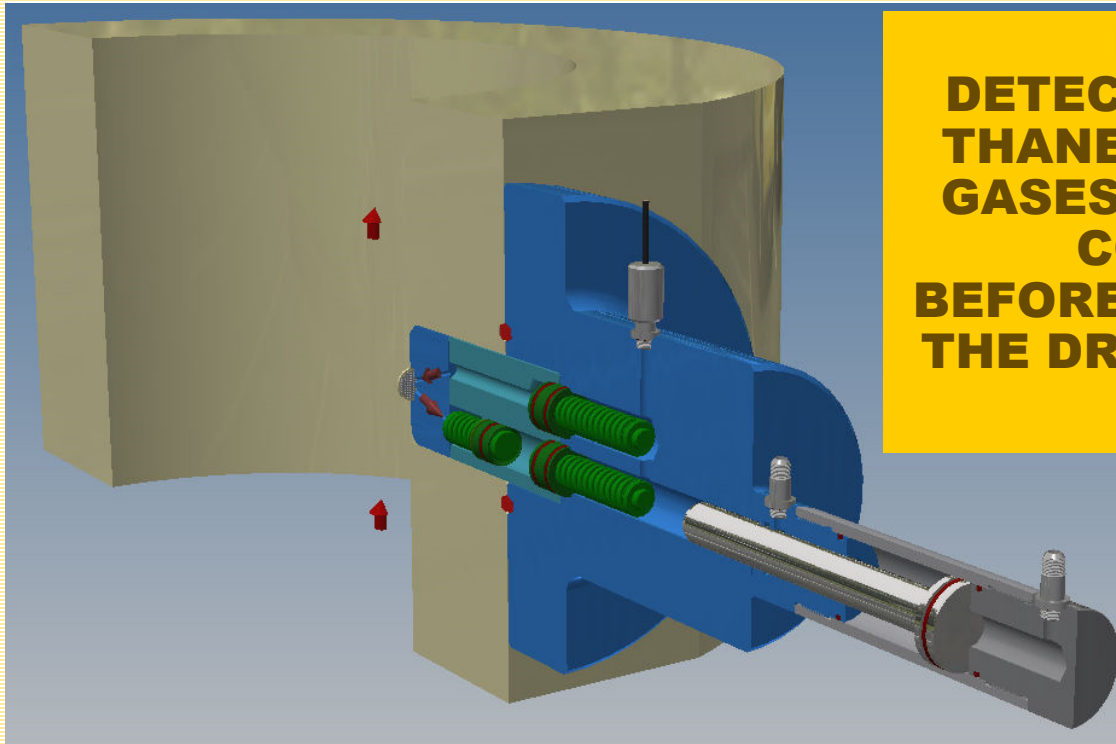


BETA SUBSEA SYSTEMS

DIV. BAUGH CONSULTING ENGINEERS, INC.

BMS-1 BOP METHANE SENSOR

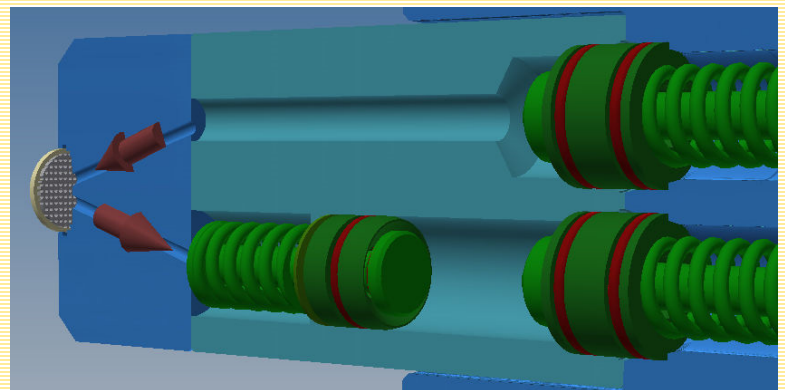


**EARLY
DETECTION OF ME-
THANE AND OTHER
GASES IN THE MUD
COLUMN,
BEFORE THEY ENTER
THE DRILLING RISER**

**THE BETA BMS-1 BOP METHANE SENSOR
DRAWS A SAMPLE OF BOP FLUID INTO A CHAMBER
VACUUM TESTS THE SAMPLE
AND THEN EXPELS IT.**

**FITS IN A STANDARD BOP
C&K OUTLET**

**FLUID SAMPLE IS DRAWN
IN THRU A FILTER
SCREEN. SAMPLE DUMP
THRU THE SCREEN
CLEANS THE SCREEN.**



Beta Subsea Systems offers a combination of patent licensing, engineering, sales, manufacturing capabilities, inventory, service and products to assist you grow your business.

Contact Information: Benton F. Baugh, Ph.D., P.E., 713-419-8683, bbaugh@baughengrs.com

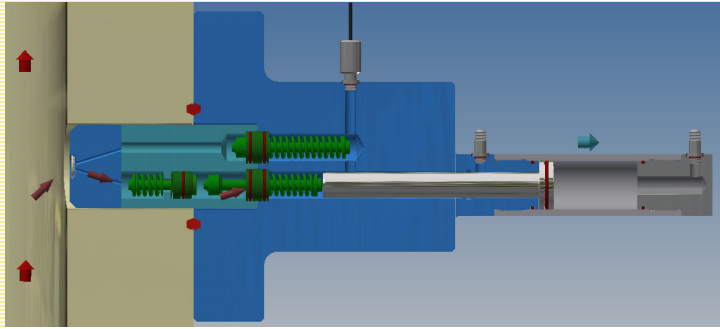
www.betasubsea.com

PATENT PENDING

BETA SUBSEA SYSTEMS

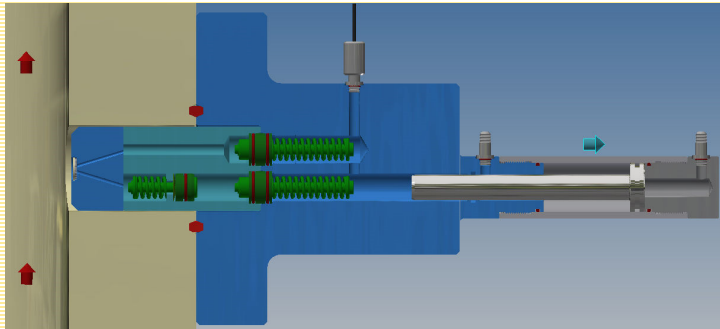
DIV. BAUGH CONSULTING ENGINEERS, INC.

BMS-1 BOP METHANE SENSOR

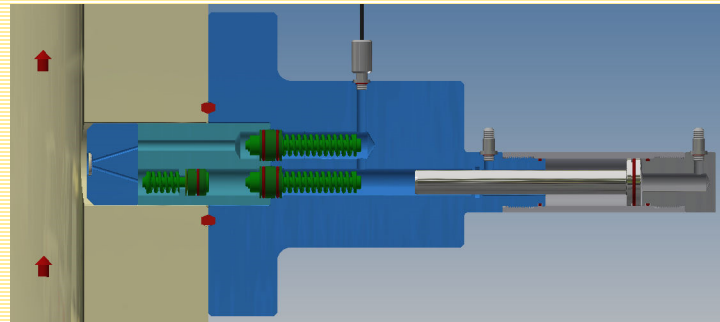


SEQUENCE OF OPERATIONS

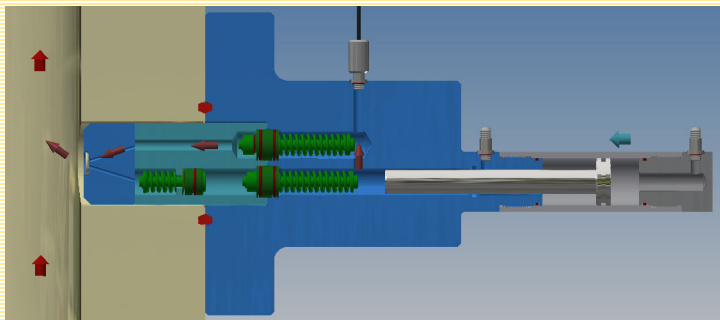
DRAWING A FRESH SAMPLE



PULLING A VACUUM



VACUUM TESTING THE SAMPLE



EXPELLING THE TESTED SAMPLE

Beta Subsea Systems offers a combination of patent licensing, engineering, sales, manufacturing capabilities, inventory, service and products to assist you grow your business.

Contact Information: Benton F. Baugh, Ph.D., P.E., 713-419-8683, bbaugh@baughengrs.com

www.betasubsea.com

PATENT PENDING