

BETA SUBSEA SYSTEMS

DIV. BAUGH CONSULTING ENGINEERS, INC.

BSR-2 SYNTHETIC ROPE WINCH

A UTILITY WRENCH FOR
YOUR LIFTING AND RE-
STRAINING NEEDS

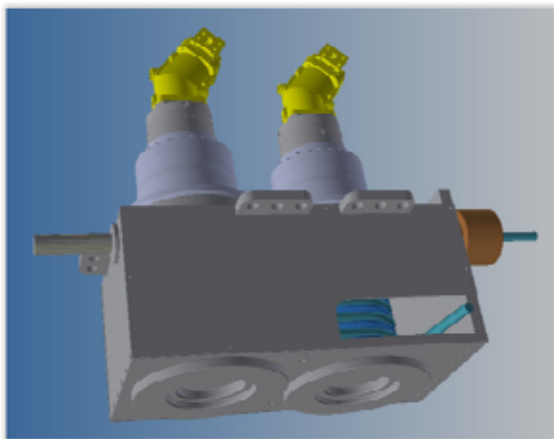
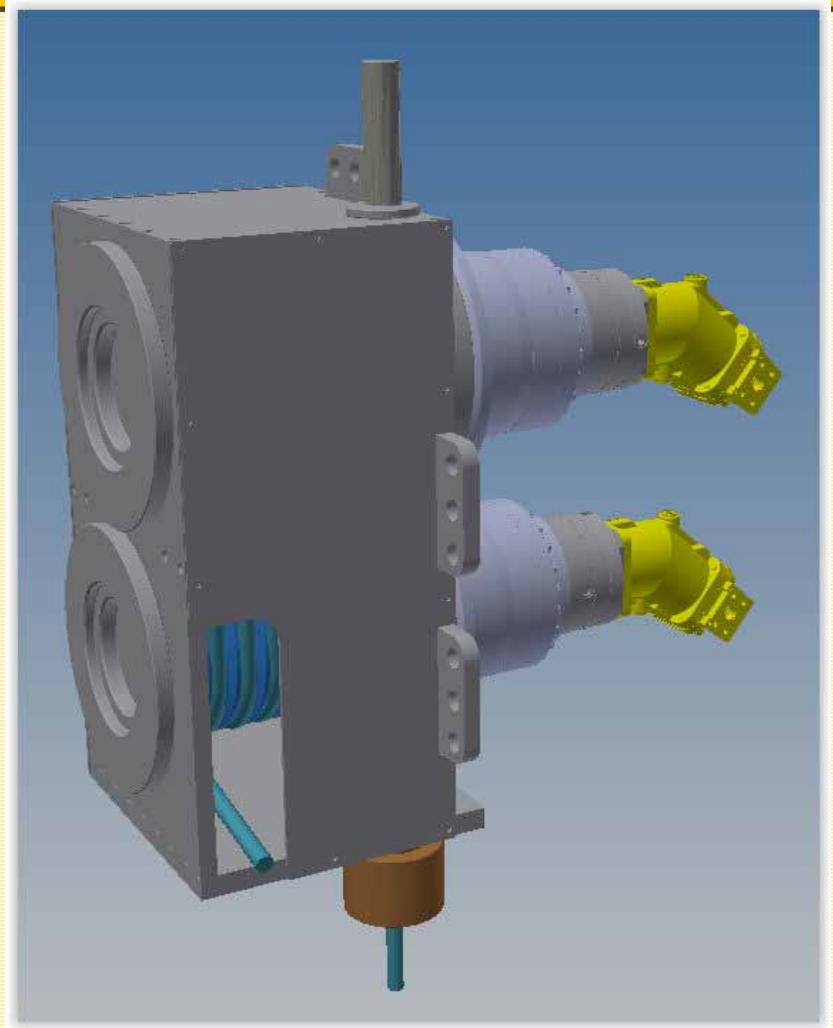
PROVIDES LIGHT
WEIGHT ALUMINUM
CONSTRUCTION

SYNTHETIC ROPE SIZE:
1" MAX.

TENSION: 40,000 LBS.
MAX.

SPEED: 50 FPM MAX.

REQUIRED BACK TEN-
SION: 0 LBS.



OPERATES AT ANY ANGLE

AVAILABLE WITH A SINGLE
MOTOR AND IN OTHER SIZES

Beta Subsea Systems offers a combination of patent licensing, engineering, sales, manufacturing capabilities, inventory, service and products to assist you grow your business.

Contact Information: Benton F. Baugh, Ph.D., P.E., 713-419-8683, bbaugh@baughengrs.com

www.betasubsea.com

PATENT PENDING

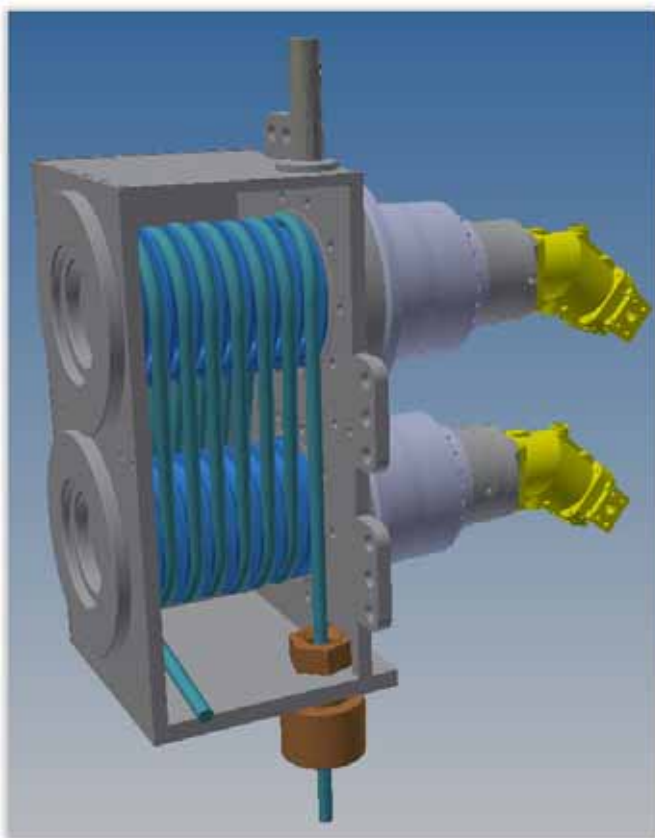
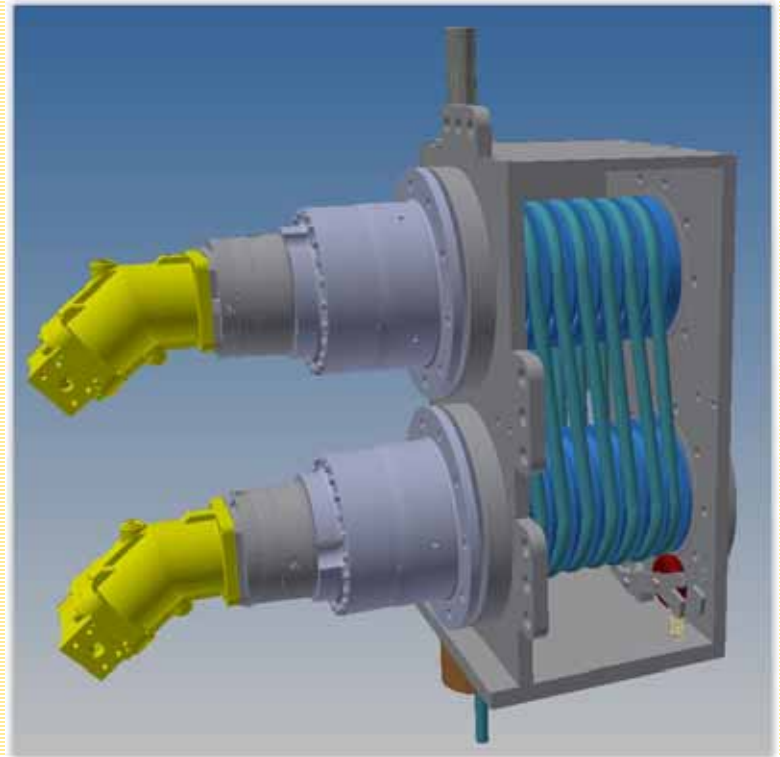
BETA SUBSEA SYSTEMS

DIV. BAUGH CONSULTING ENGINEERS, INC.

BSR-2 SYNTHETIC ROPE WINCH

LOWER RIGHT PRELOADED
ROLLER ELIMINATES THE
NEED FOR BACK TENSION
FROM A REEL - PROVIDES
THE STARTING TENSION

SYNTHETIC ROPE CAN BE
STORED ON EITHER A REEL
OR IN A BOX



MULTIPLE WRAPS AROUND THE
DUAL DRUMS AMPLIFY THE
GRIP AND TENSION CAPACITY

Beta Subsea Systems offers a combination of patent licensing, engineering, sales, manufacturing capabilities, inventory, service and products to assist you grow your business.

Contact Information: Benton F. Baugh, Ph.D., P.E., 713-419-8683, bbaugh@baughengrs.com

www.betasubsea.com

PATENT PENDING