

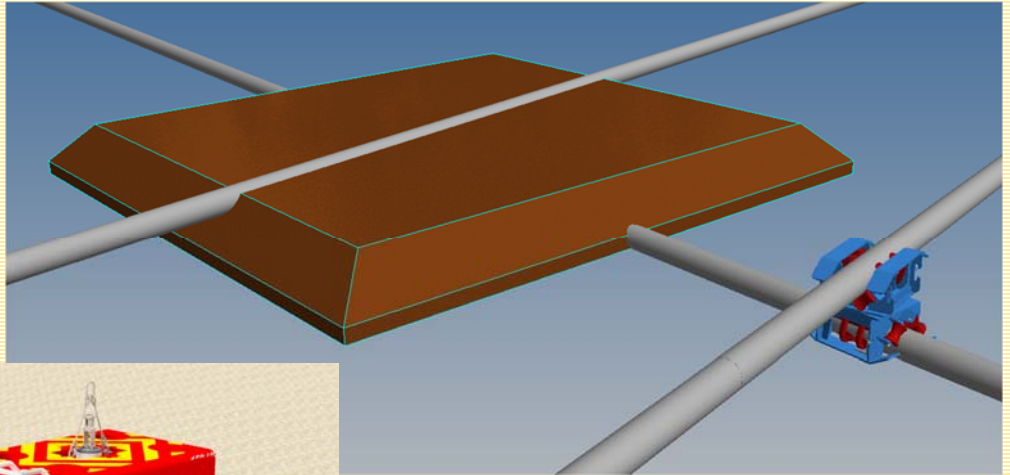


SUBSEA SYSTEMS

DIV. BAUGH CONSULTING ENGINEERS, INC.

BETA PIPE CROSS

CONVENTIONAL INSTALLATION VS. PIPE CROSS



PIPELINE BEING LAID WITH PIPE CROSS:

LOCATED BY PIPE COLLAR,
ROV SIMPLY PUSHES IT INTO
ALIGNMENT WITH THE LOWER
PIPELINE

PROVIDES PERMANENT SEPARATION FOR SUBSEA PIPELINES

LOCKS ONTO 2 CROSSING PIPELINES

PROVIDES ROLLERS FOR FREE MOVEMENT OF PIPELINES

INSULATES BETWEEN PIPELINES

PROVIDES DESIGNATED SHEARING FORCE

ELIMINATES REPETITIVE SANDBAGGING

CAN MIX AND MATCH SIZES (I.E. 10" X 6")



Beta Subsea Systems offers a combination of patent licensing, engineering, manufacturing capabilities, and products to assist you grow your business.

Primary Contacts: Benton F. Baugh, Ph.D., P.E., 713-419-8683, bbaugh@baughengrs.com
James R. Crawford, 337-344-0289, jimbobcrawford@gmail.com

Shipping Address: 15911 Lillja Rd, Houston, TX 77060, (281) 445-0988

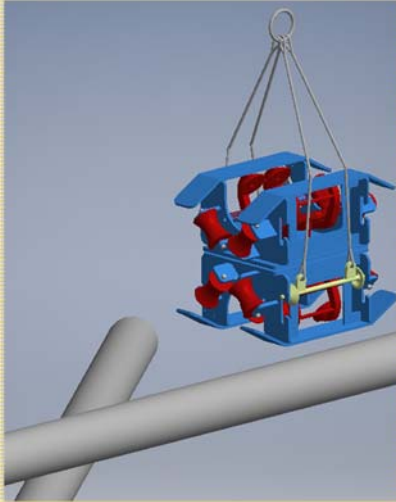
PATENTED



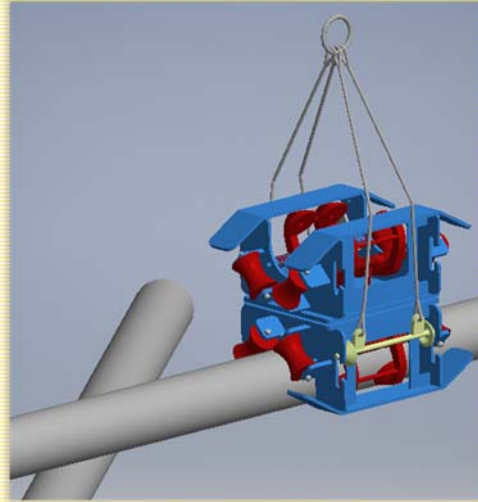
SUBSEA
SYSTEMS

BETA PIPE CROSS

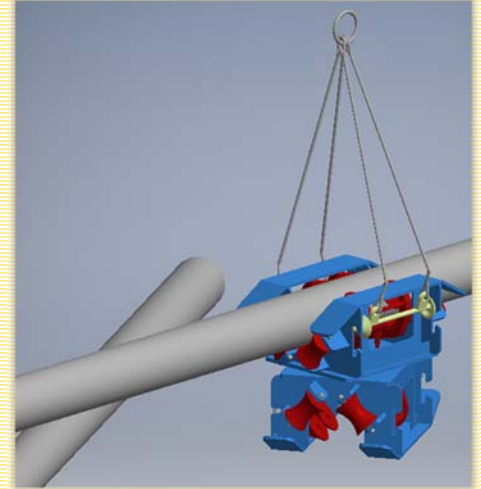
DIV. BAUGH CONSULTING ENGINEERS, INC.



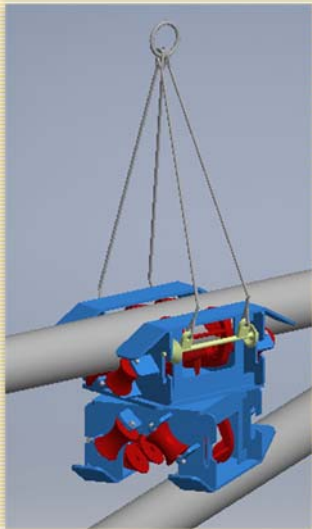
APPROACHING UPPER
PIPELINE



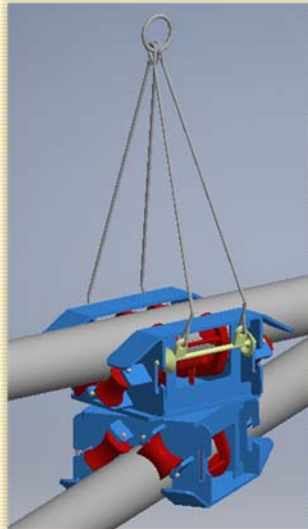
LANDED ON UPPER
PIPELINE



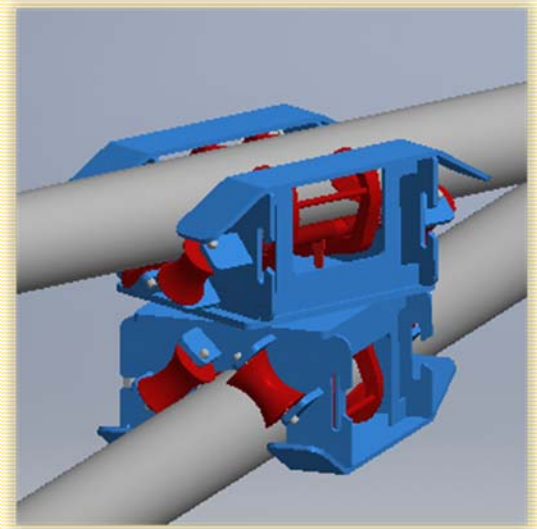
FLIPPED



UPPER PIPELINE
RAISED AND AP-
PROACHING LOWER
PIPELINE



LANDED ON LOWER
PIPELINE



SLINGS REMOVED,
FULLY INSTALLED

Beta Subsea Systems offers a combination of patent licensing, engineering, manufacturing capabilities, and products to assist you grow your business.

Primary Contacts: Benton F. Baugh, Ph.D., P.E., 713-419-8683, bbaugh@baughengrs.com
James R. Crawford, 337-344-0289, jimbobcrawford@gmail.com
Shipping Address: 15911 Lillja Rd, Houston, TX 77060, (281) 445-0988

PATENTED