

BETA SUBSEA SYSTEMS

DIV. BAUGH CONSULTING ENGINEERS, INC.

BSR-2 SYNTHETIC ROPE WINCH

**A UTILITY WRENCH FOR
YOUR LIFTING AND RE-
STRAINING NEEDS**

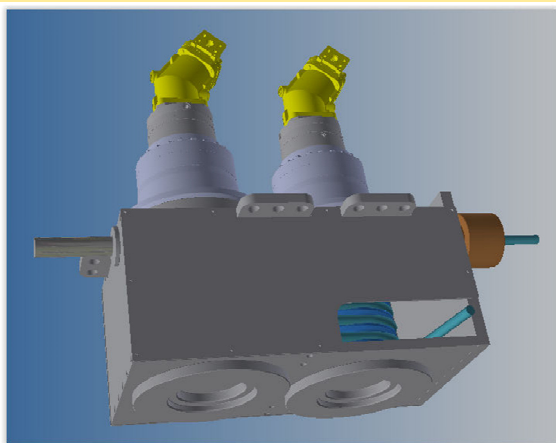
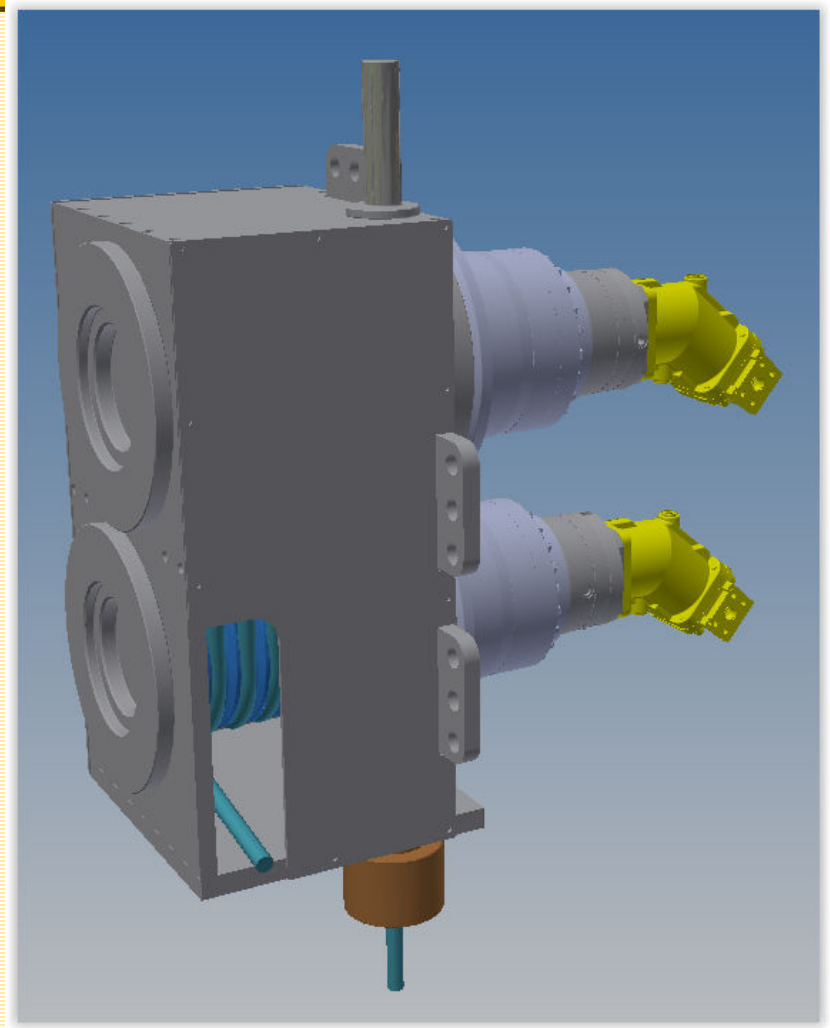
**PROVIDES LIGHT
WEIGHT ALUMINUM
CONSTRUCTION**

**SYNTHETIC ROPE SIZE:
1" MAX.**

**TENSION: 40,000 LBS.
MAX.**

SPEED: 50 FPM MAX.

**REQUIRED BACK TEN-
SION: 0 LBS.**



OPERATES AT ANY ANGLE

**AVAILABLE WITH A SINGLE
MOTOR AND IN OTHER SIZES**

Beta Subsea Systems offers a combination of patent licensing, engineering, sales, manufacturing capabilities, inventory, service and products to assist you grow your business.

Contact Information: Benton F. Baugh, Ph.D., P.E., 713-419-8683, bbaugh@baughengrs.com

www.betasubsea.com

PATENTED

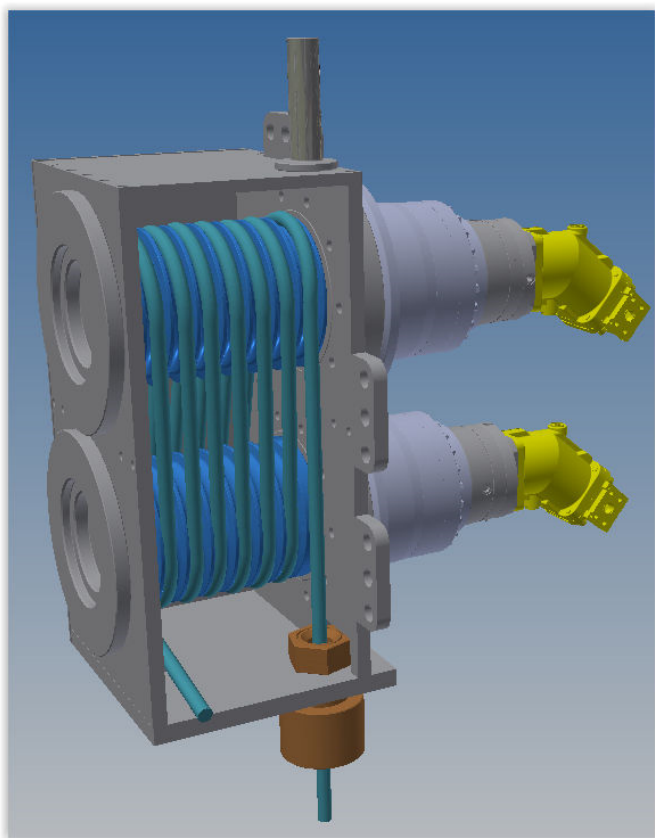
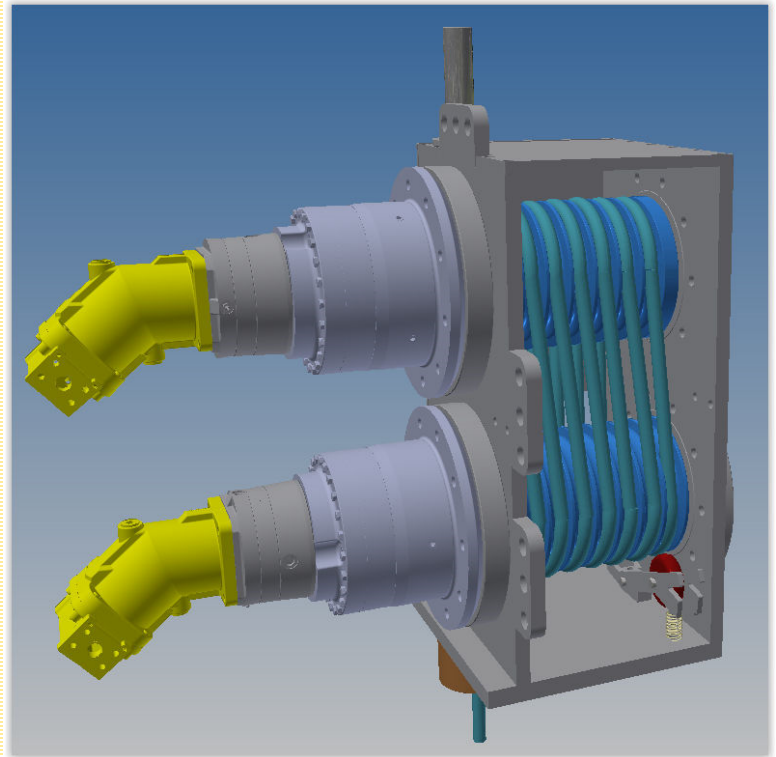
BETA SUBSEA SYSTEMS

DIV. BAUGH CONSULTING ENGINEERS, INC.

BSR-2 SYNTHETIC ROPE WINCH

**LOWER RIGHT PRELOADED
ROLLER ELIMINATES THE
NEED FOR BACK TENSION
FROM A REEL - PROVIDES
THE STARTING TENSION**

**SYNTHETIC ROPE CAN BE
STORED ON EITHER A REEL
OR IN A BOX**



**MULTIPLE WRAPS AROUND THE
DUAL DRUMS AMPLIFY THE
GRIP AND TENSION CAPACITY**

Beta Subsea Systems offers a combination of patent licensing, engineering, sales, manufacturing capabilities, inventory, service and products to assist you grow your business.

Contact Information: Benton F. Baugh, Ph.D., P.E., 713-419-8683, bbaugh@baughengrs.com

www.betasubsea.com

PATENTED